



Color ring inductors

PZAL0307 Series

Inductance Range:0.1μH~1000μH.
 Temp. rise:20°C max,Ambient temp. :60°C max.
 Operating temp. :-20°C~+80°C.
 Terminal tensile strength:1.0kg min.
 Terminal bending strength:0.3kg min.
 Dielectric withstanding voltage:250Vrms.
 Rated current:base on temp rise.

Coding Guidelines:

PZAL0307 - 221K -T
 1 2 3 4 5

- 1.Product Code
- 2.Core Dimensions
- 3.Inductance Code
- 4.Tolerance Code
- 5.Packing:T:Tape.

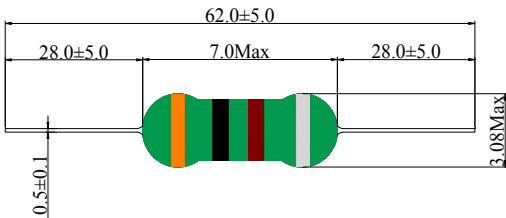
Features:

Design to be compact, small and light-weight.
 Wide range of inductance.
 Contribute to be high Q and self-resonant frequencies.
 Tapping type that is convenient for automatic insertion.
 Coating epoxy resin that ensure the humidity resistance to be long life.
 Low Cost.

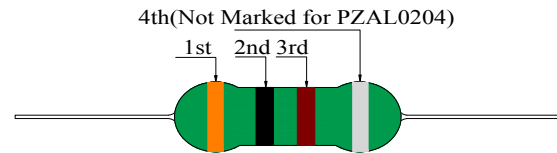
Applications:

Electronics products.
 Communications equipments.
 Computer Devices.
 TV, VCR.
 Battery charger.

Dimensions:(mm)



Color ring r



Color & Meaning:

COLOR	Nominal Inductance(uH)			
	First Figure	Second Figure	Magnification/*	Tolerance
BLACK(Bk)	0		1	20%
BROWN(Bn)	1		10	-
RED(R)	2		100	-
ORANGE(O)	3		1000	-
YELLOW(Y)	4		-	-
GREEN(Gn)	5		-	-
BLUE(Bu)	6		-	-
VIOLET(V)	7		-	-
GRAY(Gy)	8		-	-
WHITE(W)	9		-	-
GOLD(Gd)	-		-	5%
SILVER(S)	-		-	10%



Color ring inductors

PZAL0307 Series

Specifications list:

Part No.	Inductance (μH)	Test frequency (MHz)	Q (min)	S.R.F. (MHz)min	D. C. Resistance (Ω)max	IDC (mA)max	Color Code			
							1st	2nd	3rd	4th
PZAL0307-R10M	0.1	25.2	45	480	0.06	1400	Bn	Bk	S	Bk
PZAL0307-R12M	0.12	25.2	45	450	0.06	1350	Bn	R	S	Bk
PZAL0307-R15M	0.15	25.2	45	420	0.07	1270	Bn	Gn	S	Bk
PZAL0307-R18M	0.18	25.2	45	400	0.07	1200	Bn	Gy	S	Bk
PZAL0307-R22M	0.22	25.2	45	380	0.08	1150	R	R	S	Bk
PZAL0307-R27M	0.27	25.2	45	360	0.09	1100	R	V	S	Bk
PZAL0307-R33M	0.33	25.2	45	320	0.1	1100	O	O	S	Bk
PZAL0307-R39M	0.39	25.2	45	310	0.12	1000	O	W	S	Bk
PZAL0307-R47M	0.47	25.2	45	300	0.15	1000	Y	V	S	Bk
PZAL0307-R56M	0.56	25.2	45	280	0.18	950	Gn	Bu	S	Bk
PZAL0307-R68M	0.68	25.2	45	240	0.2	900	Bu	Gy	S	Bk
PZAL0307-R82M	0.82	25.2	45	200	0.22	900	Gy	R	S	Bk
PZAL0307-1R0K	1	25.2	45	180	0.25	815	Bn	Bk	Gd	S
PZAL0307-1R2K	1.2	7.96	45	160	0.28	740	Bn	R	Gd	S
PZAL0307-1R5K	1.5	7.96	45	140	0.3	700	Bn	Gn	Gd	S
PZAL0307-1R8K	1.8	7.96	45	120	0.35	655	Bn	Gy	Gd	S
PZAL0307-2R2K	2.2	7.96	45	110	0.4	630	R	R	Gd	S
PZAL0307-2R7K	2.7	7.96	45	85	0.45	595	R	V	Gd	S
PZAL0307-3R3K	3.3	7.96	45	74	0.5	575	O	O	Gd	S
PZAL0307-3R9K	3.9	7.96	45	62	0.55	555	O	W	Gd	S
PZAL0307-4R7K	4.7	7.96	45	48	0.6	530	Y	V	Gd	S
PZAL0307-5R6K	5.6	7.96	45	35	0.65	500	Gn	Bu	Gd	S
PZAL0307-6R8K	6.8	7.96	45	28	0.7	470	Bu	Gy	Gd	S
PZAL0307-8R2K	8.2	7.96	45	20	0.8	425	Gy	R	Gd	S
PZAL0307-100K	10	7.96	45	18	0.85	370	Bn	Bk	Bk	S
PZAL0307-120K	12	2.52	45	16	0.9	350	Bn	R	Bk	S
PZAL0307-150K	15	2.52	45	14	1	335	Bn	Gn	Bk	S
PZAL0307-180K	18	2.52	45	12	1.2	315	Bn	Gy	Bk	S
PZAL0307-220K	22	2.52	45	10	1.35	285	R	R	Bk	S
PZAL0307-270K	27	2.52	45	9	1.8	270	R	V	Bk	S
PZAL0307-330K	33	2.52	45	8	2.1	255	O	O	Bk	S
PZAL0307-390K	39	2.52	45	7.5	2.3	240	O	W	Bk	S
PZAL0307-470K	47	2.52	50	7	2.6	205	Y	V	Bk	S
PZAL0307-560K	56	2.52	50	6.5	2.9	195	Gn	Bu	Bk	S
PZAL0307-680K	68	2.52	50	6	3.2	185	Bu	Gy	Bk	S
PZAL0307-820K	82	2.52	50	5.5	3.8	175	Gy	R	Bk	S
PZAL0307-101K	100	2.52	50	5	4.2	165	Bn	Bk	Bn	S
PZAL0307-271K	120	0.796	50	4.8	4.5	160	Bn	R	Bn	S
PZAL0307-331K	150	0.796	50	4.5	5	150	Bn	Gn	Bn	S
PZAL0307-391K	180	0.796	50	4	6	140	Bn	Gy	Bn	S



Color ring inductors

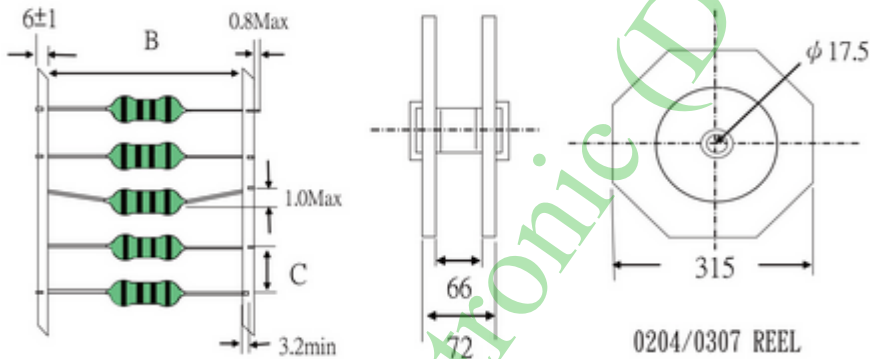
PZAL0307 Series

Specifications list: 二

Part No.	Inductance (μH)	Test frequency (MHz)	Q (min)	S.R.F. (MHz)min	D. C. Resistance (Ω)max	IDC (mA)max	Color Code			
							1st	2nd	3rd	4TH
PZAL0307-221K	220	0.796	50	3.5	7	130	R	R	Bn	S
PZAL0307-271K	270	0.796	50	3	7.5	120	R	V	Bn	S
PZAL0307-331K	330	0.796	50	2.8	8	100	O	O	Bn	S
PZAL0307-391K	390	0.796	50	2.6	10	95	O	W	Bn	S
PZAL0307-471K	470	0.796	50	2.4	13	90	Y	V	Bn	S
PZAL0307-561K	560	0.796	50	2	15	85	Gn	Bu	Bn	S
PZAL0307-681K	680	0.796	50	1.8	16	75	Bu	Gy	Bn	S
PZAL0307-821K	820	0.796	50	1.6	23	65	Gy	R	Bn	S
PZAL0307-102K	1000	0.796	50	1.4	26	60	Bn	Bk	R	S

Packaging:

Reel Dimensions:



Dimensions	PZAL0307 Data
B	52±1.0
C	5.0±0.5

Reel /Quantity: (Ref)

Packaging	Quantity:
Quantity/Reel	5,000PCS
Quantity/Carton	25,000PCS
GW/CTN(Approx.)	11.0Kg
Carton Size(mm)	330*330*460

Remarks:

If special specifications, please contact us to confirm!